

Mechanicals (Hoop Gauges & Referees Equipment)

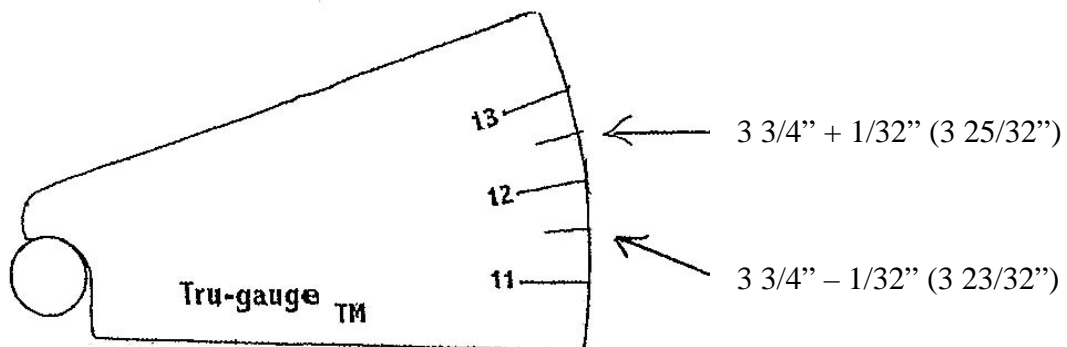
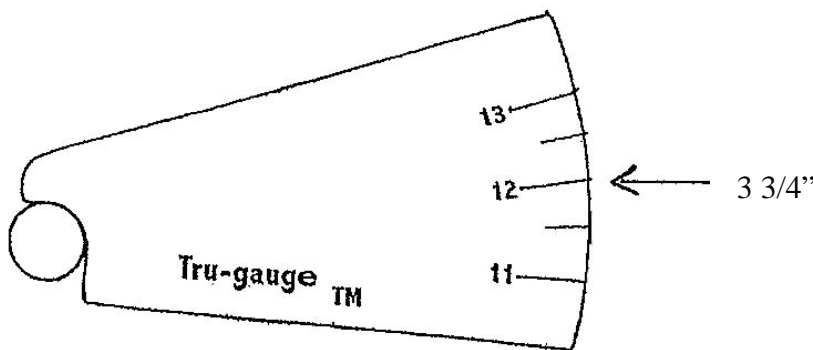
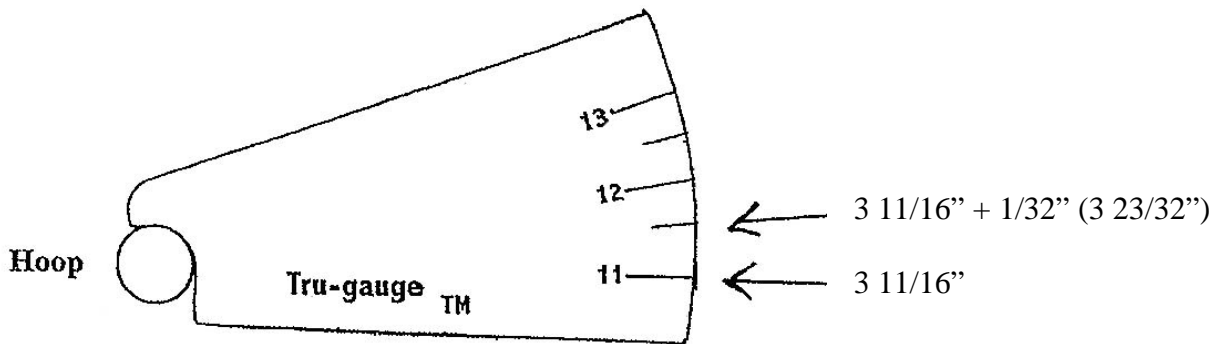
Hoop Gauge: This tool, while not mentioned in the WCF Golf Croquet Rules, is the ACA accepted device to be used for measuring the inside width of hoops . Every Tournament Notice (*ACA Regulation 23*) must specify what the inside measurement for hoops is to be for that event.

Usually $3 \frac{3}{4} \pm \frac{1}{32}$ inch is acceptable for club play (i.e. between $3 \frac{23}{32}$ " and $3 \frac{25}{32}$ ").

For most tournaments the hoops are to be set at the specification shown in *Rule 3(a)*.

For championship play they ought to be set at $3 \frac{11}{16}$ " with an allowable variation of up to $+\frac{1}{32}$ ". However, the Rule allows some latitude and international events might choose to use "*Ball + 1/32 inch*". This is a management policy decision set by the Tournament Committee for that specific event. It is essential that every referee and TR checks the specification on the Tournament Notice (Tournament Conditions).

The Tru-Gauge™ with a rigid plastic with an arc graduated from $3 \frac{22}{32}$ " to $3 \frac{26}{32}$ " is the official ACA gauge. Generally the standard for ACA events is that the width be set on the '11' mark ($3 \frac{11}{16}$ " [$3 \frac{22}{32}$ "] The upper variation is the **mark** between the '11' and the '12'. This mark is ($3 \frac{23}{32}$ "), which is $3 \frac{11}{16} + \frac{1}{32}$ inches.



Older and other gauges:

Brass ACA Gauge – This the (old) "official" ACA brass "Go - No Go" gauge. This gauge and method may be used to reach a $3\frac{3}{4}$ " plus or minus $1/32$ " setting and conforms to the ACA Regulation relative to hoops to be set at a nominal $3\frac{3}{4}$ ".

The ACA policy, if the $3\frac{3}{4}$ " setting is used, is that the narrower "go" section of the brass ACA "Go-NoGo" gauge which measures $3\frac{23}{32}$ " ($3\frac{3}{4}$ " minus $1/32$ "") is to pass through the hoop, at half-ball height, with little or minimal movement. In other words "set tightly to the minimum".

The "No Go" Section ($3\frac{25}{32}$ "") must never go through the hoop legs.

Feeler gauges – strips of $1/16$ " and $1/32$ " thick metal or plastic. Hoops are measured at the size of the maximum ball width plus $1/16$ " or at some other width with no tolerance. This technique is acceptable at major tournaments. Details are to be included and specified in the tournament notice (*ACA Reg 23*).

Brass $3\frac{3}{4}$ gauge (one measurement only). This gauge does not measure the required tolerances or variations and is **not** approved.

Aluminum Gauge – ACA or State – $3\frac{3}{4}$ " (of one measurement only) is **not** approved. Aluminium wears and bends easily.

Referee Equipment

What a Referee ought to carry on their person:

Strongly recommended: A waist bag (belt bag) to carry: a minimum of 6 markers

Optional: A length of cotton or thread

The rigid plastic Tru-Gauge™ (please do not carry a metal hoop gauge as it could cause injury if you fall over)

What to carry in your Referee Satchel:

- WCF GC Rules Book with the interleaved commentary
- Reel of cotton or similar
- Notebook and pen/pencil
- A container of markers [a 35 mm film container is excellent for this purpose]
- A coin for tossing [optional]
- A large screwdriver [for minor resetting of hoops quickly during a game - optional]

What the venue ought to provide for a Referee:

- A chair and a shady and/or sheltered position.
- Electronic timer for each game. Note: most games are untimed and referees are probably not required to be the time keeper or to be in a position to undertake this function if nor acting as RiC.

The RoR (RoC) function requires constant movement between courts which makes time-keeping difficult.

- Rubber hammer, spirit level, large screwdriver, score sheet.